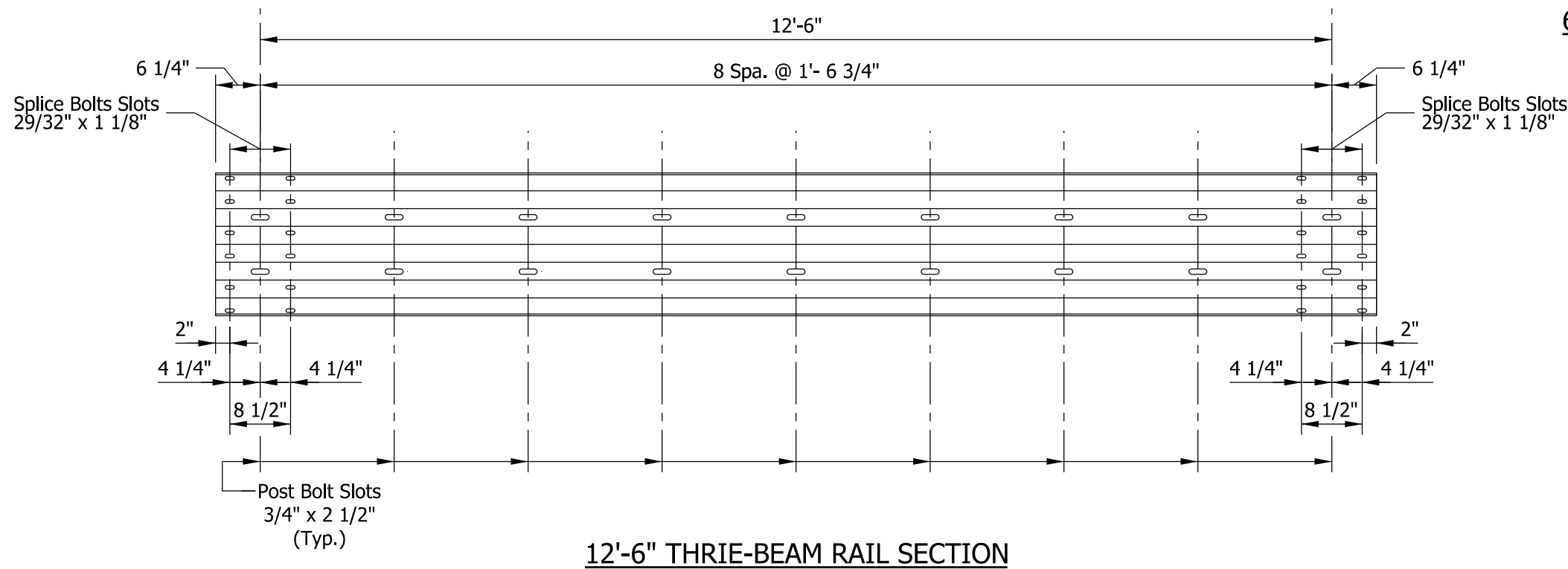
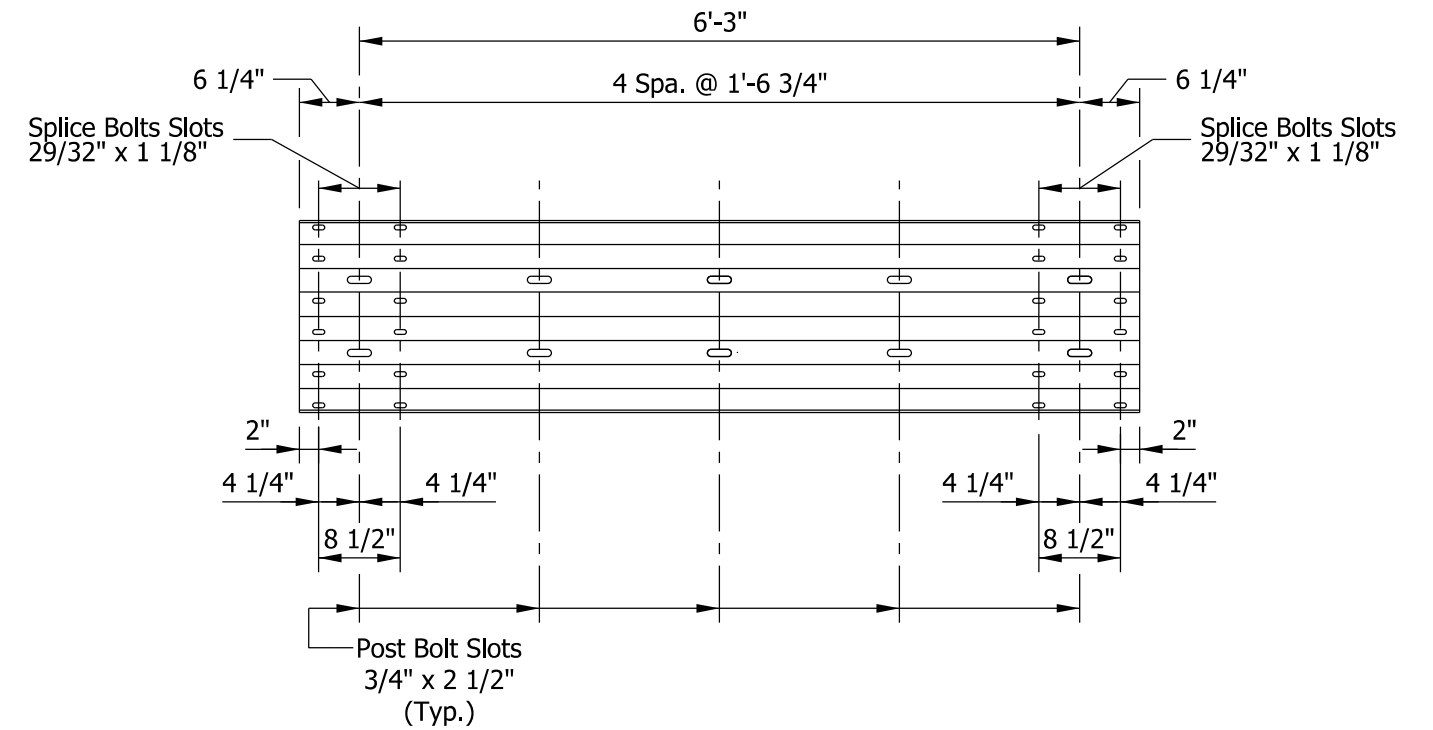
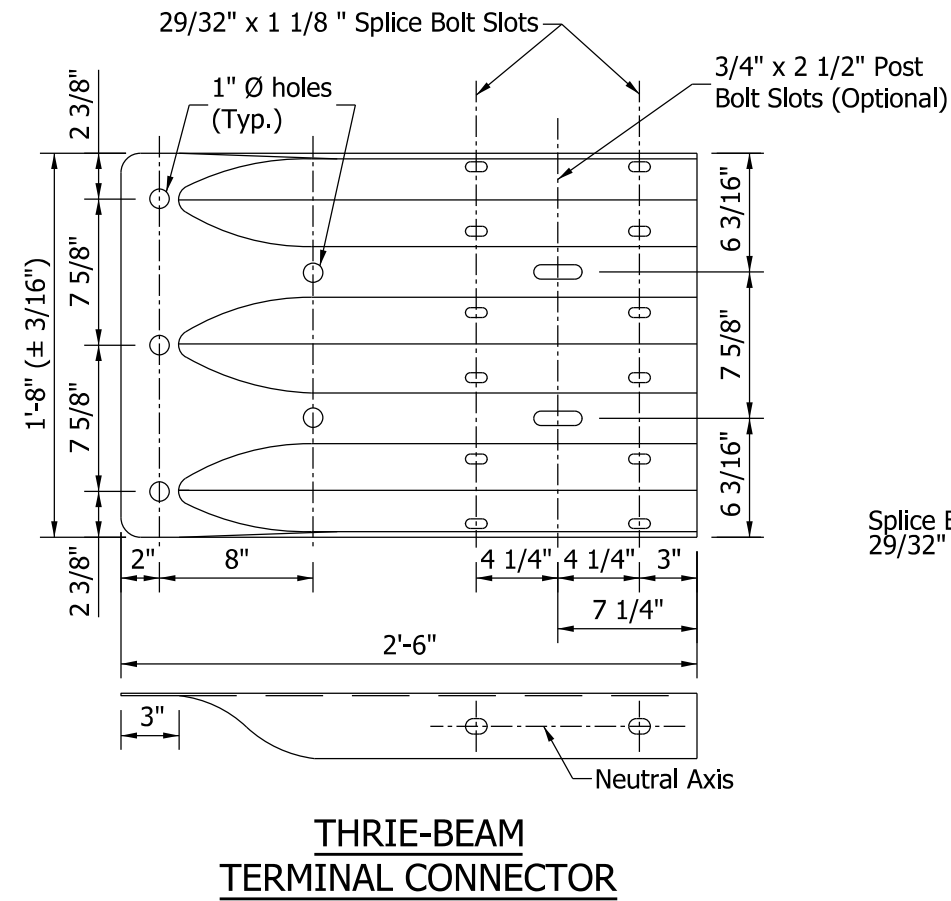
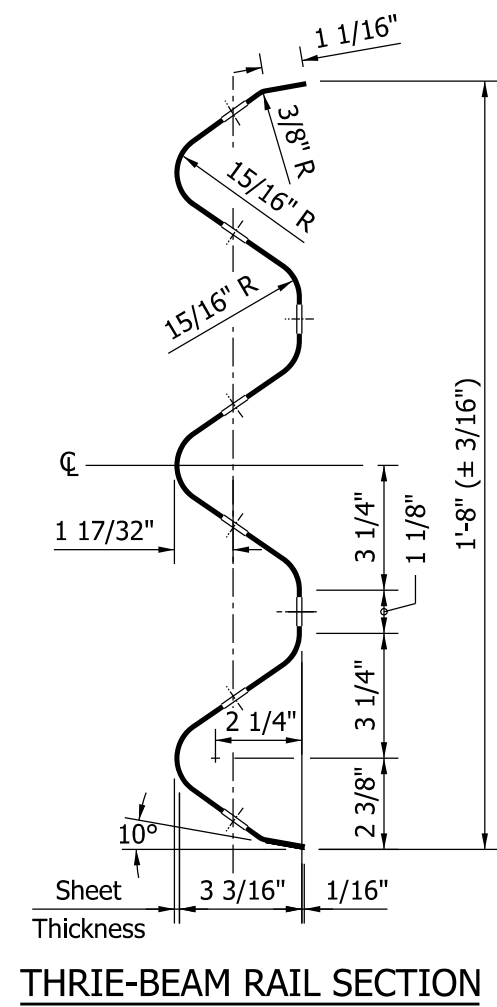


NOTES:

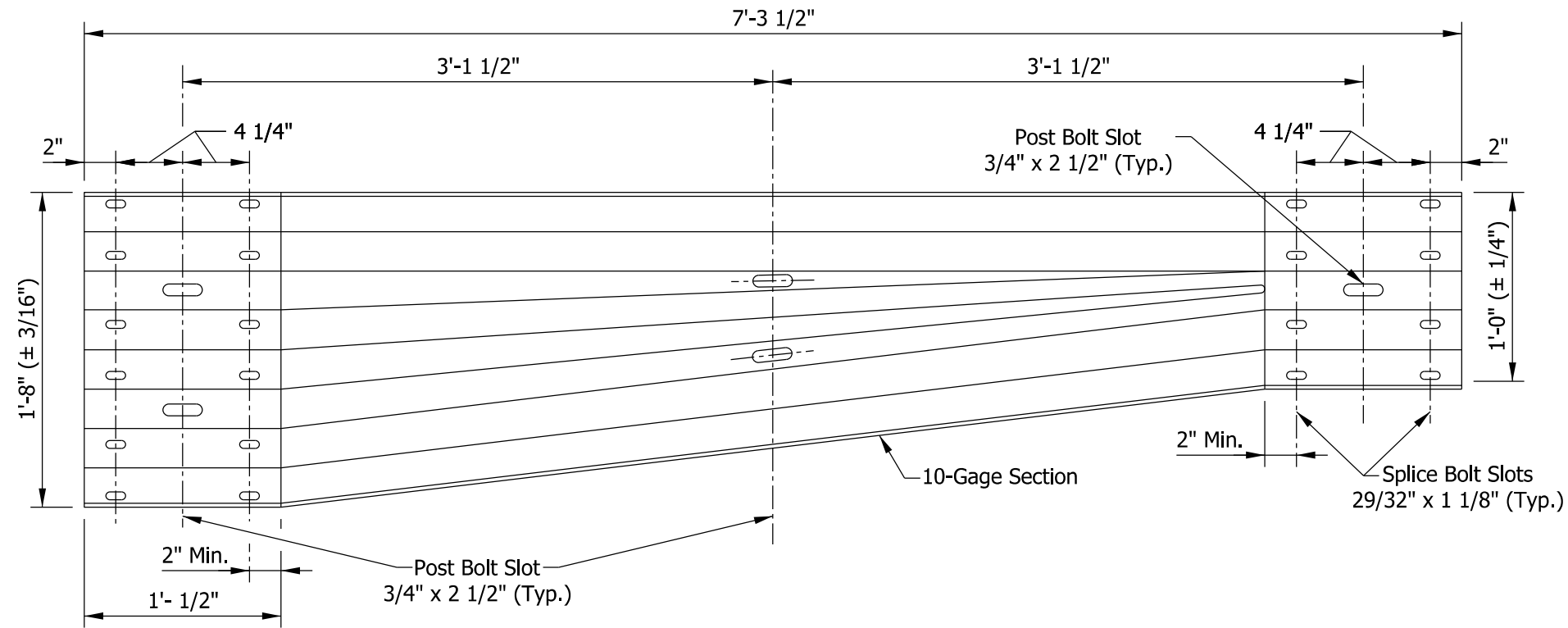
1. All thrie-beam components shall be 12 gage, except as shown.



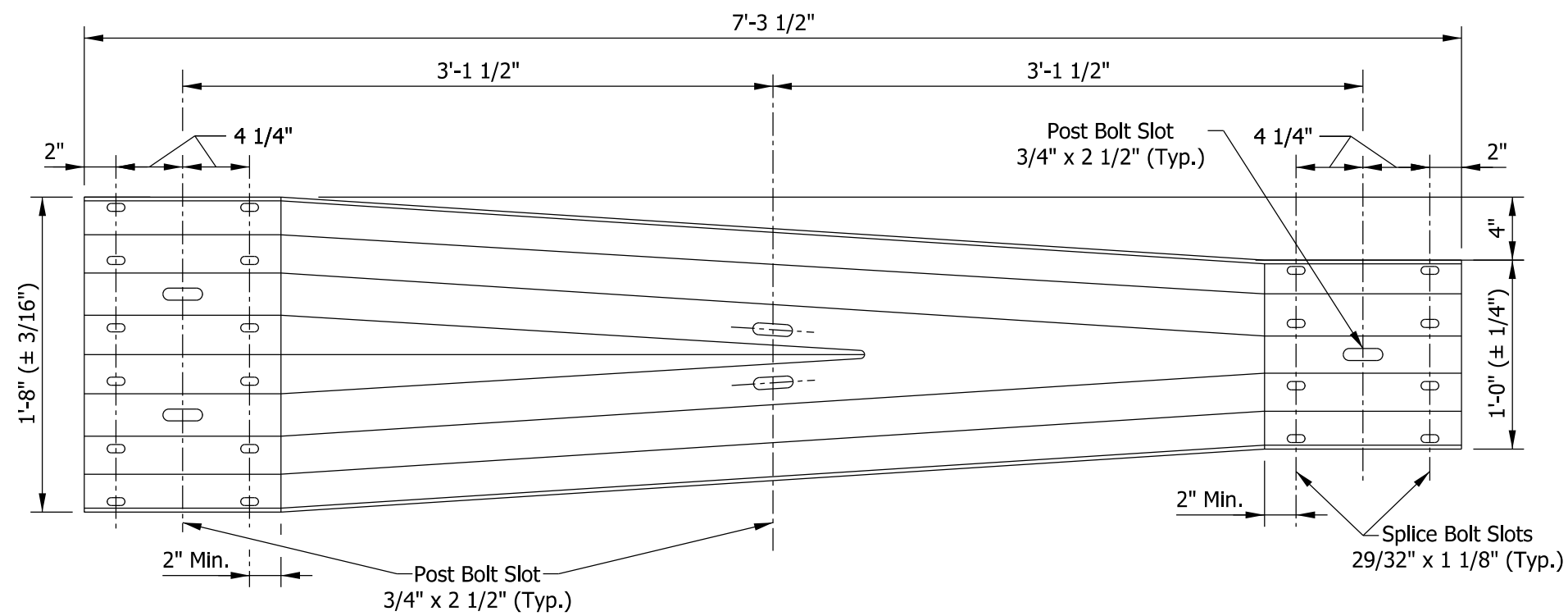
INDIANA DEPARTMENT OF TRANSPORTATION	
THRIE-BEAM GUARDRAIL COMPONENTS	
SEPTEMBER 2018	
STANDARD DRAWING NO. E 601-TBGC-01	
	/s/ Elizabeth W. Phillips 03/09/18 DESIGN STANDARDS ENGINEER DATE
	/s/ John Leckie 04/25/18 CHIEF ENGINEER DATE

NOTES:

1. All thrie-beam components shall be 12 gage, except as shown.



ASYMMETRIC MGS W-BEAM TO THRIE-BEAM TRANSITION SECTION



SYMMETRIC W-BEAM TO THRIE-BEAM TRANSITION SECTION

INDIANA DEPARTMENT OF TRANSPORTATION	
THRIE BEAM GUARDRAIL COMPONENTS	
SEPTEMBER 2018	
STANDARD DRAWING NO.	E 601-TBGC-02
	/s/ Elizabeth W. Phillips 03/09/18 DESIGN STANDARDS ENGINEER DATE
	/s/ John Leckie 04/25/18 CHIEF ENGINEER DATE